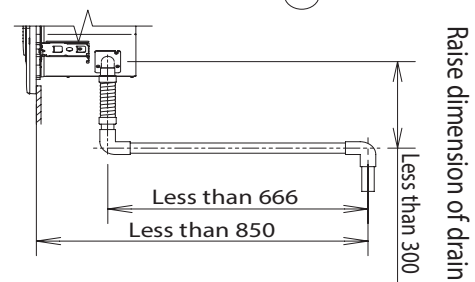
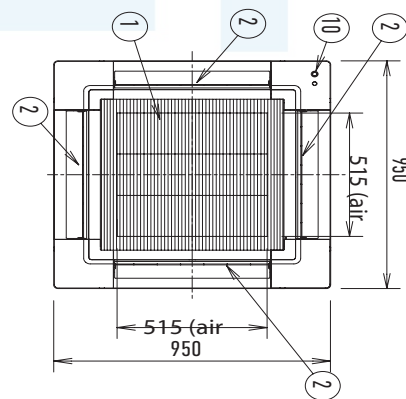
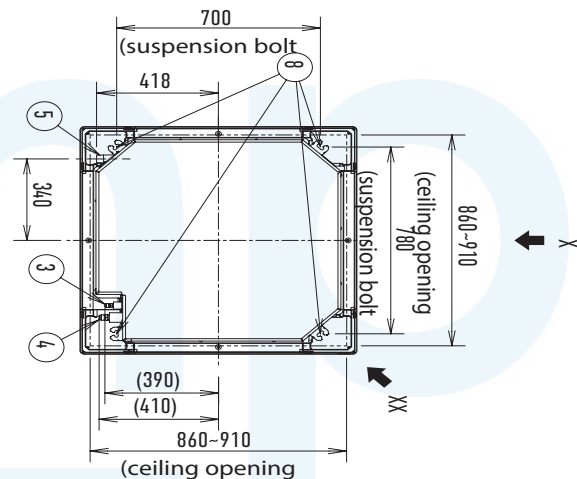


4 Way Cassette (U2)

Product Code: S-73MU2E5A

Notes

- » Powerful drain pump gives 850mm lift from underside of ceiling
- » Fresh air knockout - 100mm diameter
- » Branch duct connection
- » Optional Nanoe™ filtration technology
- » Optional air intake plenum CZ-FDU2
- » New high performance turbo fan, new path system for heat exchanger



MODEL NUMBER		S-73MU2E5A
GRILLE		CZ-KPU3
Nominal Cooling	kW	7.3
Nominal Heating	kW	8
Capacity Code		7.3
Height	mm	256 (33.5)
Width	mm	840 (950)
Depth	mm	840 (950)
Weight	kg	21
Knock Out For Fresh Air Intake		Yes (100mm Diameter)
Knock Out For Branch Duct		TBC
Airflow Rate	l/s	217 - 267 - 217 (L-M-H)
Fan Type		Turbo fan
Static Pressure	Pa	NA
Spigot Kit		NA
Discharge Spigots		NA
Sound Pressure Level	dB(A)	29 - 32 - 37 (L-M-H)
Pipe Connection Size - Gas	in	5/8"
Pipe Connection Size - Liquid	in	3/8"
Drain Connection		VP-25
Lift Pump		Yes (850mm)
Power Supply	V-Ph-Hz	230 - 1 - 50
Running Current (Cooling - Heating)	kW	0.33 - 0.32
Power Input (Cooling - Heating)	A	0.040 - 0.040
Starting Current	A	Under 1A
Suggested Fuse Size	A	5A

* exact cooling and heating capacities will depending on connected outdoor unit and system configuration