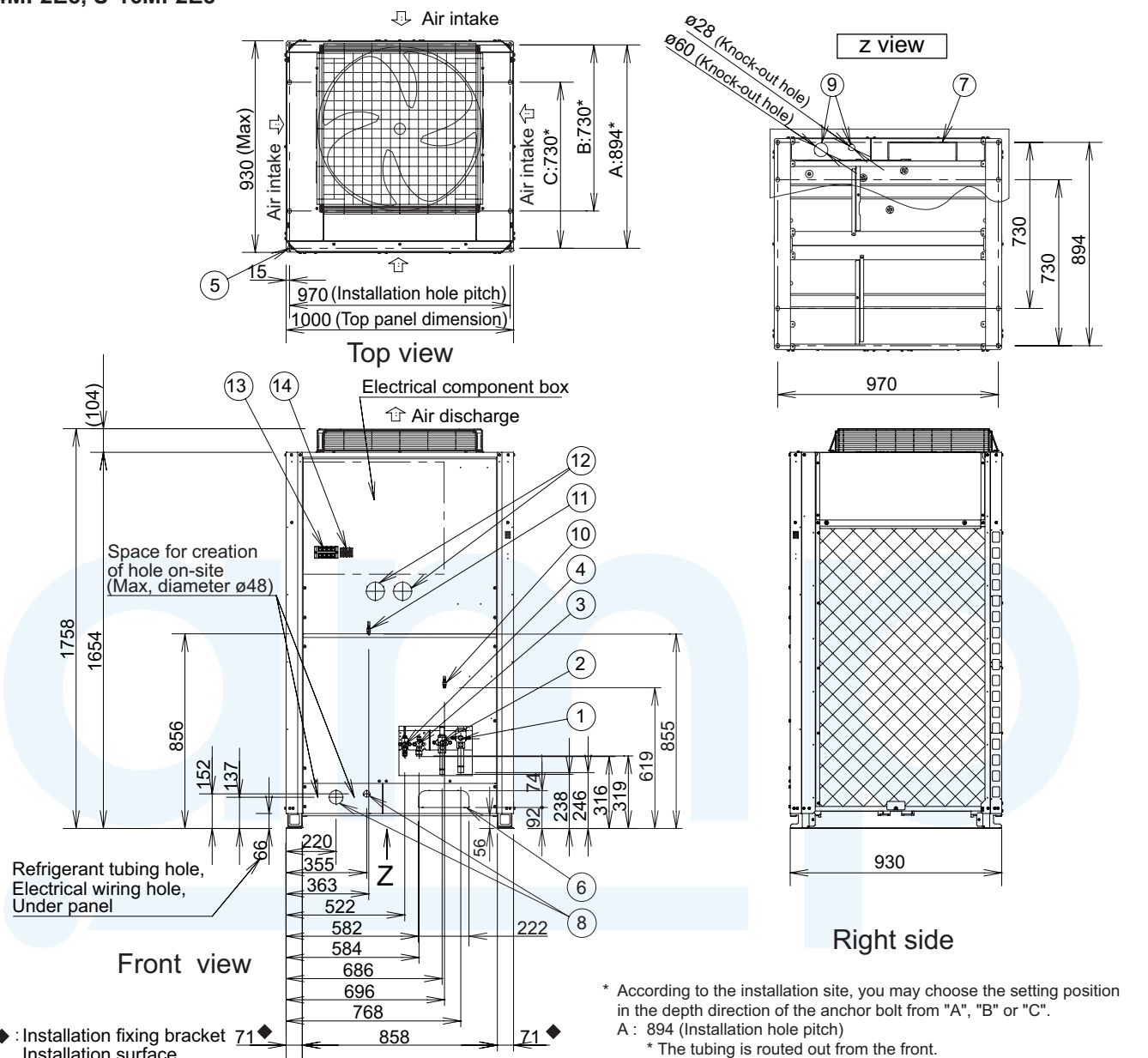


1. Outdoor Unit

U-14MF2E8, U-16MF2E8



* According to the installation site, you may choose the setting position in the depth direction of the anchor bolt from "A", "B" or "C".
 A : 894 (Installation hole pitch)
 * The tubing is routed out from the front.
 B : 730 (Installation hole pitch)
 * The tubing is routed out from the bottom.
 C : 730 (Installation hole pitch)

①	Refrigerant tubing (suction tube)	brazed connection ø25.4
②	Refrigerant tubing (discharge tube)	brazed connection ø19.05
③	Refrigerant tubing (liquid tube)	flared connection ø12.7
④	Refrigerant tubing (balance tube)	flared connection ø6.35
⑤	Installation holes (4-15×21 elongated holes), anchor bolts M12 or larger: use 4 pieces and select an anchor bolt position in the direction of depth among A, B, C according to the installation location.	
⑥	Refrigerant tubing port (front: knock-out hole)	
⑦	Refrigerant tubing port (bottom: slit hole)	
⑧	Electrical wiring port (front: ø60, ø28knock-out holes for conduit connection)	
⑨	Electrical wiring port (bottom: ø60, ø28knock-out holes for conduit connection)	
⑩	Pressure outlet port (for high pressure: ø7.94 Schrader-type connection)	
⑪	Pressure outlet port (for low pressure: ø7.94 Schrader-type connection)	
⑫	Knock-out hole for connecting pressure gauge (optional)	
⑬	Terminal board	
⑭	Inter-unit control wiring, Inter-outdoor unit control wiring terminal board	

