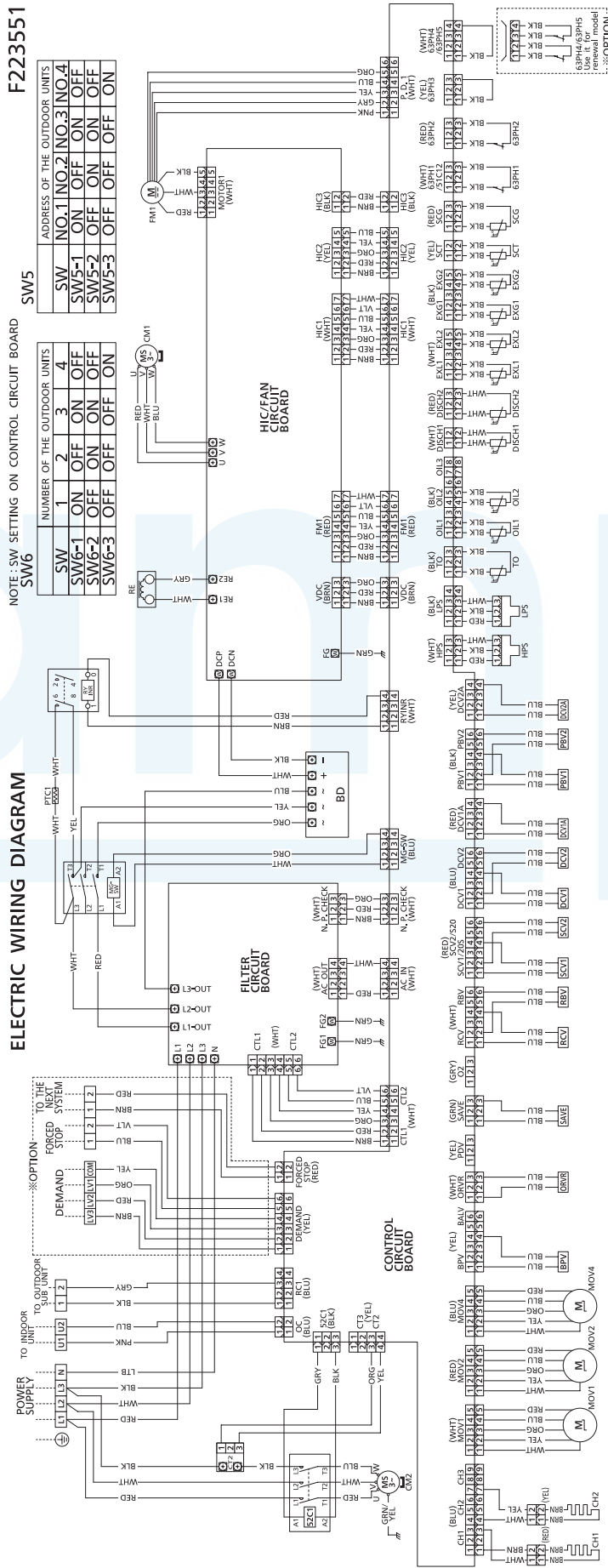


1. Outdoor Unit

(3) Electric Wiring Diagram U-14MF2E8/16MF2E8

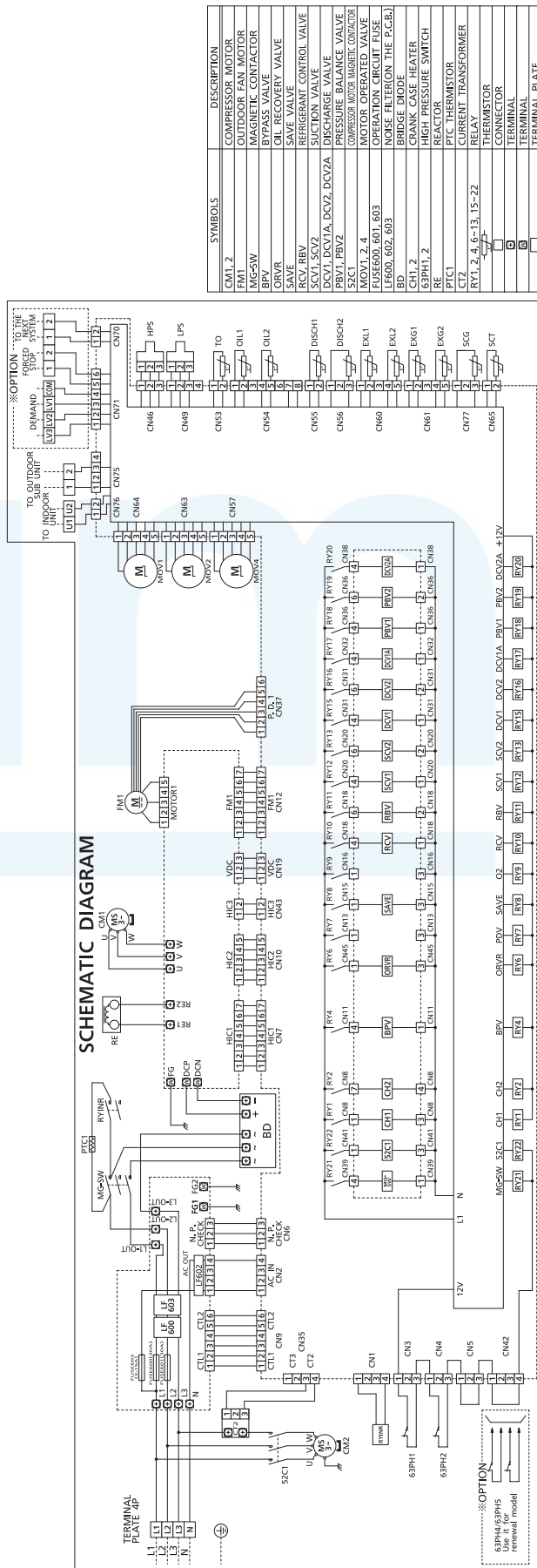


6

1. Outdoor Unit

Schematic Diagram U-14MF2E8/16MF2E8

F223551



OUTDOOR UNIT HEATING & COOLING

WARNING DANGER! HIGH VOLTAGE. DO NOT TOUCH ANY ELECTRIC COMPONENTS WHILE OPERATING OR WITHIN 5 MINUTES AFTER STOPPING OPERATION. MEASURE THE POWER VOLTAGE OF BD'S TERMINAL '+' (WITH A WHITE WIRE) AND '-' (WITH A BLACK WIRE).